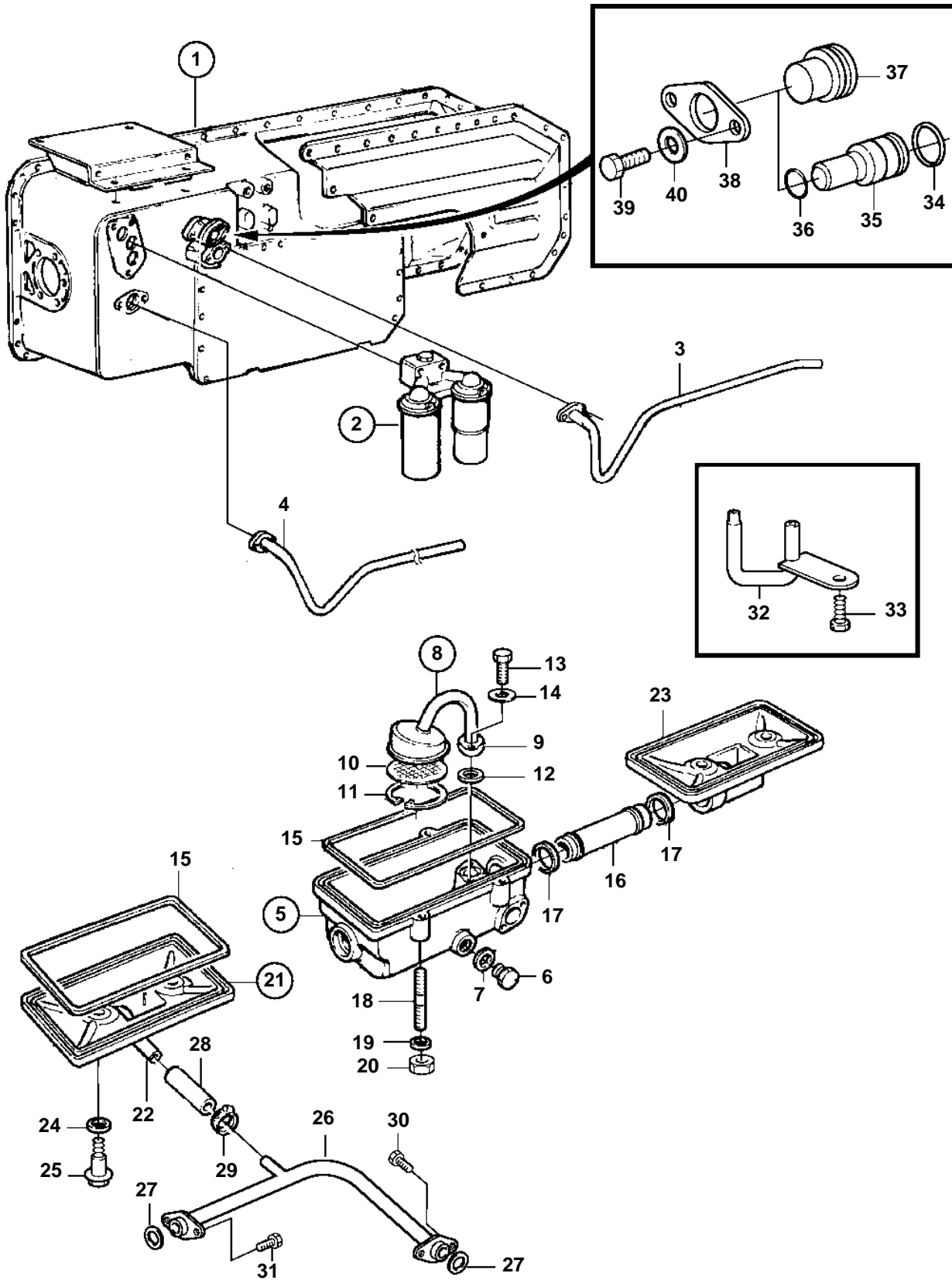


DH10A, THD102KB, THD102KD



16988

## DH10A, THD102KB, THD102KD

REF	PART NO.	QTY	DESCRIPTION	SEE SEC.	NOTES
1		1	Oil pan	3481	
2		1	Oil filter	3492	
3		1	Oil return pipe	3672	
4		1	Suction pipe	3672	
5	469897	1	Housing		
6	981280	1	· Plug		
7	949329	1	· Gasket		
8	469896	1	· Oil pump screen		
9	469539	1	· · Flange		
10	403483	1	· Wire gauze		
11	118123	1	· Lock ring		
12	469482	1	· O-ring		
13	955525	2	· Screw		
14	941907	2	· Spring washer		
15	469823	3	Gasket		
16	469873	2	Pipe		
17	1543579	4	Sealing ring		
18	953267	4	Stud		
19	942336	4	Spring washer		
20	955827	4	Nut		
21	469876	1	Inspection lid		
22	469323	1	· Pipe		
23	469878	1	Inspection lid		
24	471856	4	Sealing ring		
25	425655	4	Screw		
26	425294	1	Tube		
27	949721	2	O-ring		
	469477	1	O-ring		
28	192358	X	Rubber hose		
29	943473	2	Hose clamp		
30	946173	2	Flange screw		
31	955524	2	Screw		
32	864374	6	Oil jet		FOR DH10A
	422850	6	Oil jet		FOR THD102KD
33	948587	6	Lock screw		FOR DH10A, THD102KD
34	949657	1	O-ring		
35	422836	1	Valve		FOR DH10A, THD102KD
36	949656	1	O-ring		FOR DH10A, THD102KD
37	424715	1	Plug		
38	424714	1	Flange		
39	955513	2	Screw		
40	941906	2	Spring washer		